

Protect-It™ XL Rack Guard

Economical solution for improving warehouse safety

Protect-It™ XL Rack Guards are large format upright protectors that improve warehouse safety and reduce rack damage caused by forklift trucks, and other vehicles.

Protect-It™ XL Guards are cost effective, quick to install and easy to replace making them a highly economical rack protection solution for your business.

Features

- Low purchase and installation costs.
- Securely grips the column with no separate fasteners.
- Can be stacked and configured to suit your site.
- Effective in cold stores as low as -40 degrees.
- Easy to remove for rack inspections.
- Fit most racking brands.

Easy Installation

Protect-It™ XL Rack Guard is easy to install with no drilling.

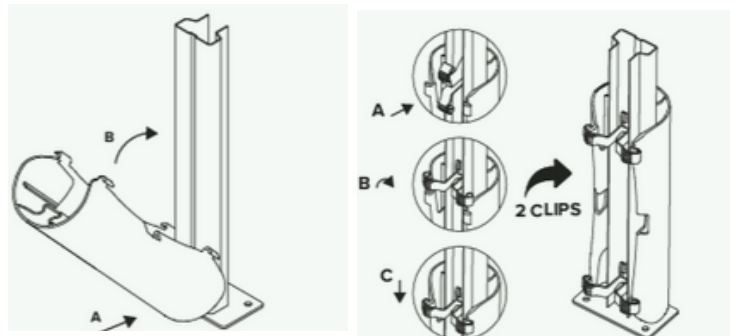
Specifications

HEIGHT OF UNIT	500mm
WIDTH	Fits uprights with widths up to 90mm
MATERIAL	Ultra high impact high polyethylene
COLOUR	Yellow
TEMPERATURE	Up to -40 degrees



Safety

Independently tested for front and side impact. Passes impact tests from Australian Standard AS4084 and European Code FEM 10.2.02



SCAN to view
install guide

